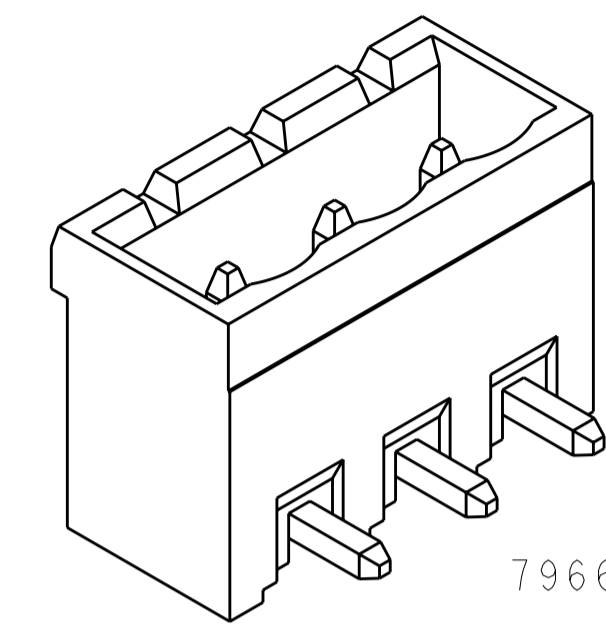
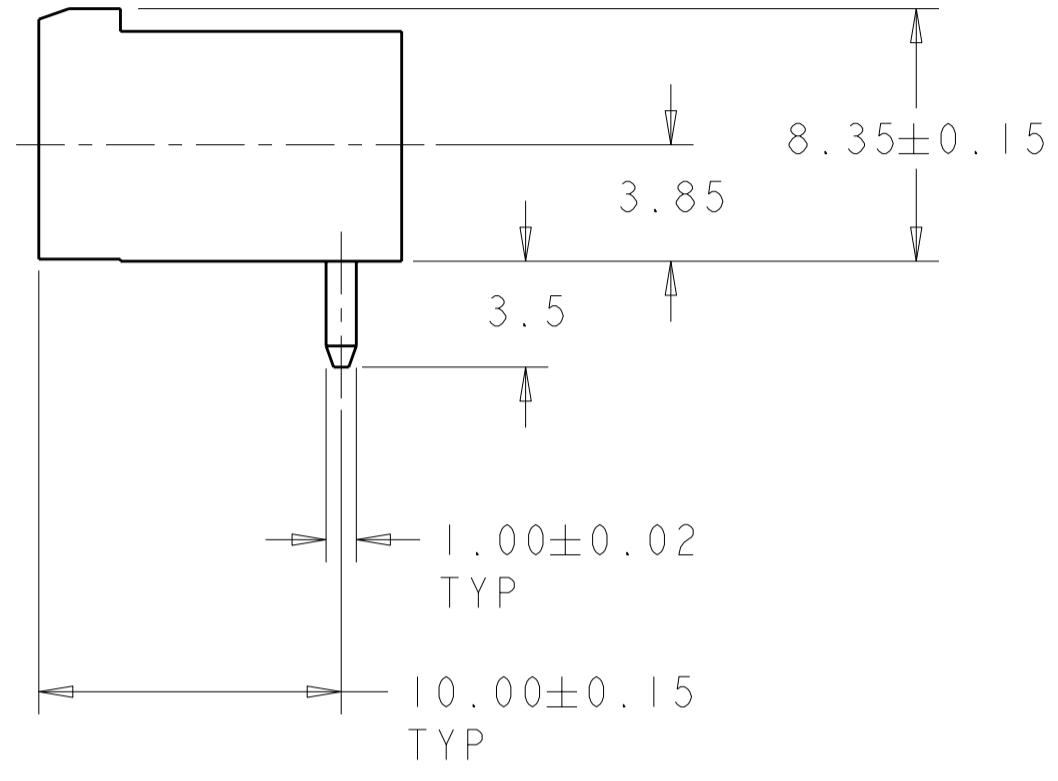
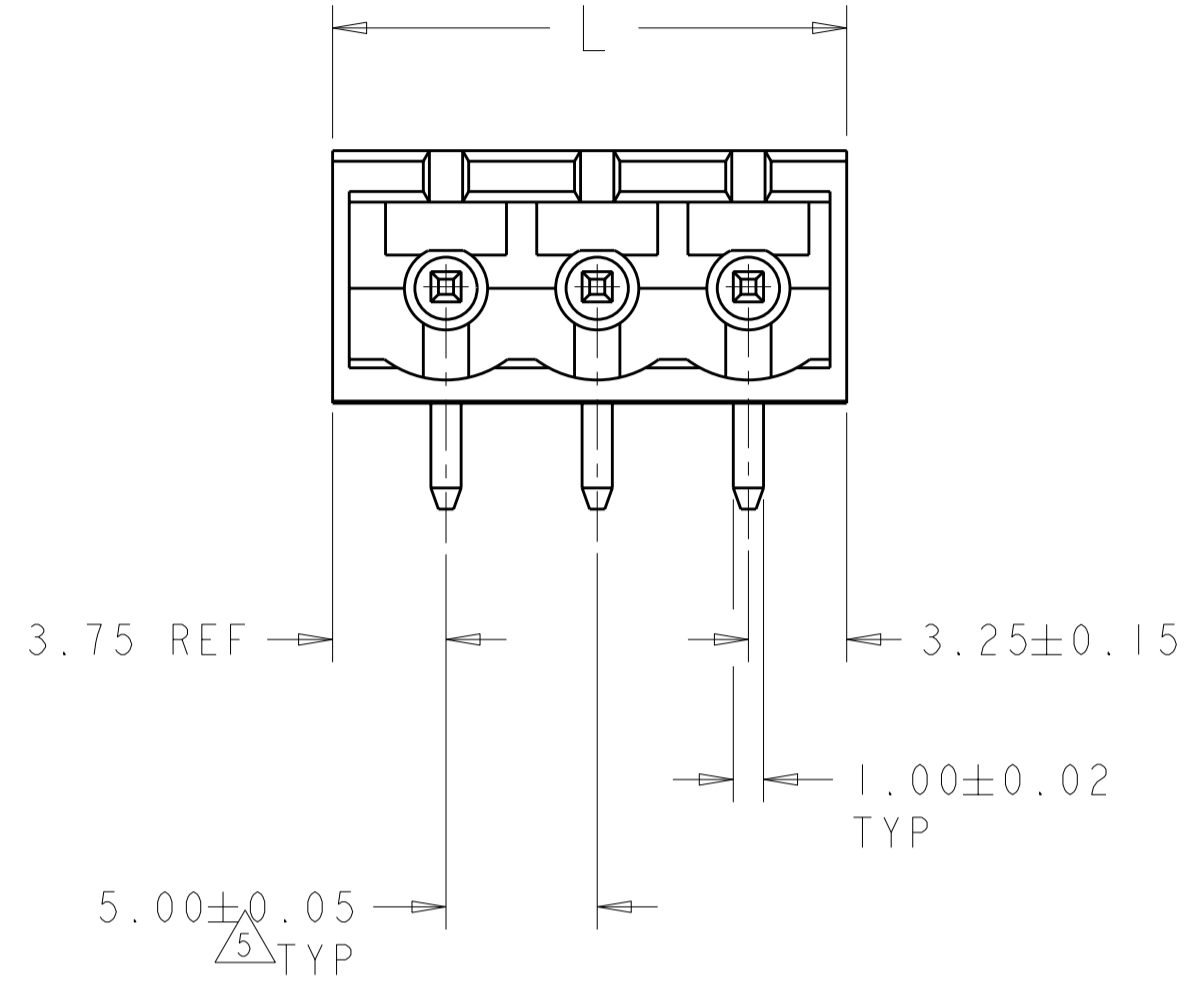
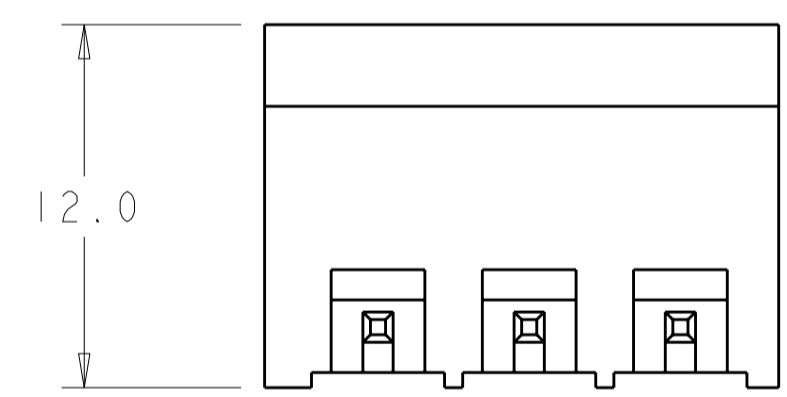


THIS DRAWING IS UNPUBLISHED. RELEASED FOR PUBLICATION 20
 © COPYRIGHT 20 BY - ALL RIGHTS RESERVED.

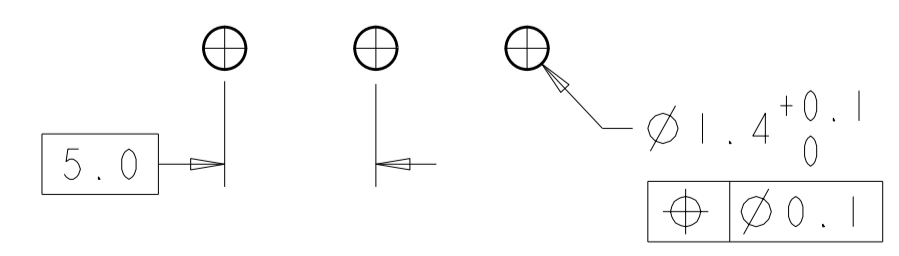
LOC	DIST	REVISIONS			
P	LTR	DESCRIPTION	DATE	DWN	APVD
FT	0	A3	REVISED PER ECO-12-007711	25APR2012	KH MS



FINISH	THICKNESS	POSITION	NO OF POSN	PART NUMBER
PRELIMINARY	0.76 µm GOLD	47.0	9	3-796645-2
PRELIMINARY	0.76 µm GOLD	37.0	7	3-796645-1
PRELIMINARY	0.76 µm GOLD	32.0	6	3-796645-0
PRELIMINARY	0.76 µm GOLD	27.0	5	2-796645-9
PRELIMINARY	0.76 µm GOLD	22.0	4	2-796645-8
PRELIMINARY	0.76 µm GOLD	17.0	3	2-796645-7
PRELIMINARY	0.76 µm GOLD	42.0	8	2-796645-6
TIN		127.0	25	2-796645-5
TIN		122.0	24	2-796645-4
TIN		117.0	23	2-796645-3
TIN		112.0	22	2-796645-2
TIN		107.0	21	2-796645-1
TIN		102.0	20	2-796645-0
TIN		97.5	19	1-796645-9
TIN		92.0	18	1-796645-8
TIN		87.0	17	1-796645-7
TIN		82.0	16	1-796645-6
TIN		77.0	15	1-796645-5
TIN		72.0	14	1-796645-4
TIN		67.0	13	1-796645-3
TIN		62.0	12	1-796645-2
TIN		57.0	11	1-796645-1
TIN		52.0	10	1-796645-0
TIN		47.0	9	796645-9
TIN		42.0	8	796645-8
TIN		37.0	7	796645-7
TIN		32.0	6	796645-6
TIN		27.0	5	796645-5
TIN		22.0	4	796645-4
TIN		17.0	3	796645-3
TIN		12.0	2	796645-2
CONTACT PLATING		DIM L	NO OF POSN	PART NUMBER



1. MATERIALS AND FINISH:
 HOUSING: PA 6-6, UL 94-V0, COLOR: BLACK.
 TERMINAL: COPPER ALLOY, FINISH: SEE TABLE.
2. SUITABLE FOR 1,6-2, 4mm PC BOARD THICKNESS.
3. RECOGNIZED UNDER THE COMPONENT PROGRAM OF UNDERWRITERS LABORATORIES INC. FILE N° E60677.
4. IMQ CERTIFICATE WITH SURVEILLANCE IN CONFORMITY WITH IEC 998-1/998-2-1.
5. NOT CUMULATIVE TOLERANCE



RECOMMENDED PC BOARD LAYOUT

THIS DRAWING IS A CONTROLLED DOCUMENT.

DWN: S. WELDON 19OCT2000
 CHK: D. BIEVENOUR 19OCT2000
 APVD: D. BIEVENOUR 19OCT2000

TE Connectivity

NAME: TERMI-BLOK HEADER ASSEMBLY, 90 DEGREE, CLOSED ENDS, 5.00mm PITCH

SIZE: A2 CAGE CODE: 00779 DRAWING NO: 796645

SCALE: 4:1 SHEET 1 OF 1 REV A3